

Operator's Manual

EXCAVATOR/BACKHOE BRUSH CUTTERS

Heavy-Duty X Series

42X HD | 42X XP

48X HD | 48X XP

WHY READ THIS MANUAL?

Before operating your new Brush Wolf brush cutter, read this entire manual to understand **1) safety precautions**, **2) operating instructions**, and **3) maintenance schedule** to help keep you safe and your equipment running smoothly for years to come.



TAKE A MINUTE TO WRITE DOWN THE FOLLOWING INFORMATION
FOR FUTURE SERVICE, REPAIR, AND WARRANTY INQUIRIES.

OWNER REFERENCE INFORMATION

DATE OF PURCHASE _____

MODEL NO. _____

SERIAL NO. _____

DEALER NAME _____

SALES REP NAME _____

DEALER PHONE NO. _____

DEALER EMAIL _____

DEALER ADDRESS _____

THANK YOU

Welcome to the Brush Wolf family!

You've made a smart choice! We hope you love your brush cutter as much as we love making it. If you have any issues, please contact us at any time. We're here to help.

Brush Wolf

218-692-1050

info@brushwolf.com

www.brushwolf.com

WHAT'S INSIDE

SAFETY FIRST!	2-3
OPERATING YOUR BRUSH CUTTER	4-7
MAINTENANCE	8-10
TROUBLESHOOTING	11
HOW TO REPLACE BLADES	12
PARTS SECTION	
42X HD 42X XP	14-15
48X HD 48X XP	16-17
WARRANTY INFORMATION	18

SAFETY FIRST!

FOR YOUR SAFETY, READ THESE INSTRUCTIONS.

The following safety instructions are provided to alert you to precautions that, if not followed, may cause serious injury to yourself or to others. Please read these instructions completely. Brush Wolf/Cross-Tech Manufacturing cannot cover every incident that might be a hazard. Extreme caution should be used at all times. Only use your Brush Wolf brush cutter for the purpose for which it has been designed.

SITE INSPECTION

Before operating your brush cutter, carefully inspect the area to be cleared. Remove any items that may be picked up and thrown by the cutting blades, such as wire, pipes, rocks, etc. Mark objects that are too large to move. This is an important step to avoid personal injury, damage to property, the brush cutter, or your excavator/backhoe. If an object is struck while operating the brush cutter, immediately shut down power to both the brush cutter and the excavator/backhoe. Any damage should be corrected and tested before the continuation of cutting.

EXCAVATOR/BACKHOE AUXILIARY HYDRAULIC FLOW

Check the specifications of your brush cutter's rated gallons per minute (GPM) to correctly match the hydraulic flow of your excavator/backhoe to ensure proper operation.

EQUIPMENT INSPECTION

Disconnect the unit from the excavator/backhoe. To inspect or to make repairs under the cutter deck, always block the unit securely to prevent accidental release of the lift mechanism.

Inspect all hydraulic connections to ensure they are tight, and hoses and shields are in good condition before applying pressure. Hydraulic fluid can escape under pressure and may cause serious injury or death. If this type of injury occurs, seek medical attention immediately.

SAFETY GEAR

Wear safety goggles, hearing protection, and a hard hat. Only operate the excavator/backhoe behind a shatterproof forestry-rated door and cab.

DO NOT operate near bystanders, vehicles, pets, livestock, or buildings. Objects may discharge while cutting with the brush cutter and has the potential to cause serious injury.

DO NOT operate the brush cutter until everyone on your work crew is alerted to the dangers of walking up to the brush cutter while in operation.

DO NOT operate the brush cutter in conditions with poor visibility.

DO NOT operate while intoxicated or if taking medications that may impair your senses or reactions.

DO NOT allow children to operate the brush cutter. Only individuals with excavator/backhoe experience who are well acquainted with the rules of safe operation should be allowed to operate the brush cutter.

DO NOT operate the excavator/backhoe without a shatterproof forestry-rated door and cab.

DO NOT place hands, feet, or other objects under the deck while the brush cutter is in operation.

DO NOT raise the mower deck while blades are rotating. Operation with the mower raised will expose the cutting blades and may cause serious injury or death to yourself or others.

DO NOT allow anyone or any item on top of the mower deck while in operation.

DO NOT expose the underside of the blades towards the cab while in operation.

DO NOT continue operation if an unexpected object is struck. IMMEDIATELY shut down power to both the brush cutter and the excavator/backhoe. Disconnect the hydraulic couplers from the power source. Evaluate the damage, repair, and then test the unit before operation.

DO NOT leave the brush cutter unattended while in a raised position. Always make sure both the runners are placed firmly on the ground and shut down the excavator/backhoe.

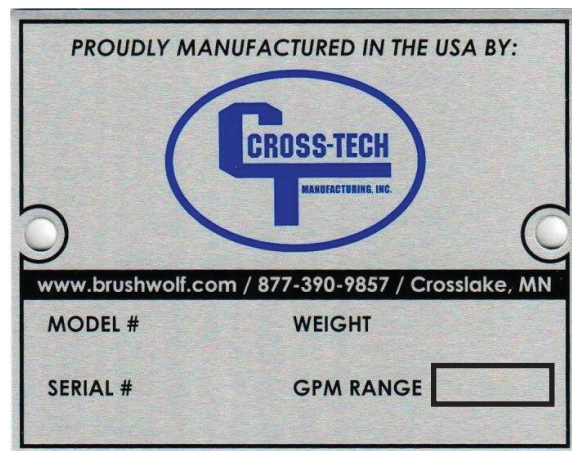
DO NOT attempt to straighten blades. Order replacement blades if blades are bent, cracked, or damaged.

OPERATING YOUR BRUSH CUTTER

▶ START HERE

Verify your excavator's/backhoe's hydraulic flow to ensure it is within the brush cutter's rating range. The brush cutter's gallons per minute (GPM) rating is located on the serial tag of the brush cutter.

FIGURE 1: SERIAL TAG



▶ IMPORTANT: CHECK THESE ITEMS PRIOR TO OPERATING

CHECK BLADES

Inspect blades to ensure they are sharp, tightened correctly, and intact. Look for damage, dullness, and cracks. See page 9 for details.

CHECK NUTS & BOLTS

Check all nuts and bolts for proper tightness. See maintenance schedule for torque specification listed on page 10.

CHECK HYDRAULIC FLUID

A low level could indicate a leak and require a closer inspection of your unit. See page 9 for details.

INSPECT THE DRIVE COMPONENTS

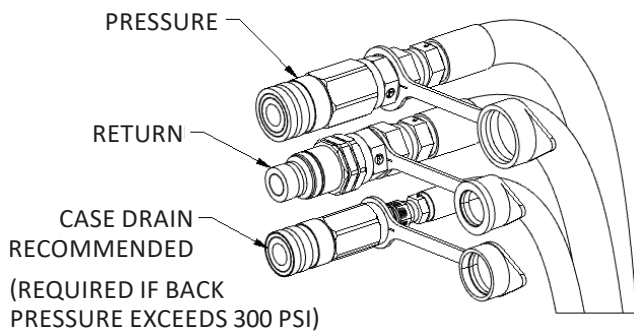
Remove any foreign material.

► CONNECTING THE BRUSH CUTTER

- 1) Ensure pins or quick couplers are properly connected from the brush cutter to your excavator/backhoe.

NOTE: All Brush Wolf brush cutters come from the factory with the female flat faced coupler on the pressure line and the male coupler on the return line.

FIGURE 2: HOSE ENDS



- 2) Inspect the hydraulic couplers and wipe off water, dust, or any debris which can damage hydraulic components. Once cleaned, connect the couplers from the cutter to the auxiliary hydraulic system on the excavator/backhoe. Twist the collars of the quick connect couplers to secure the hydraulic connections. **ALL 42X AND 48X BRUSH CUTTERS MAY BE RUN WITHOUT A CASE DRAIN LINE IF TOTAL RETURN PRESSURE IS LESS THAN 300 PSI. ALL EXCAVATORS WITH RETURN PRESSURE (BACK PRESSURE) GREATER THAN 300 PSI WILL REQUIRE A CASE DRAIN LINE.**

Failure to run without a case drain line or an improperly connected case drain line will result in excess case pressure. All motors are equipped with a check valve on the top of the motor to relieve excess case pressure. Should you see leaking from the check valve, make sure the case drain line is connected properly. Operating the brush cutter without a case drain line will cause damage to the motor and void the warranty.

- 3) Make sure the hoses are routed in a way that allows the head to make a full range of motion. If hoses are too long and pinching or binding, they can be made shorter by loosening the hose bracket and feeding additional hose length back to the cutter deck.
- 4) Confirm all safety measures have been completed per the Safety First! section (pages 2-3). Most importantly, make sure the area is clear of people and pets.

▶ OPERATING STEPS

- 1) Enter the shatter-proof cab door, engage the seat belt, release the brake, and start the engine. The runners of the brush cutter should be as close to the ground as possible. **Never raise the brush cutter more than seven (7) inches off the ground while in operation.**

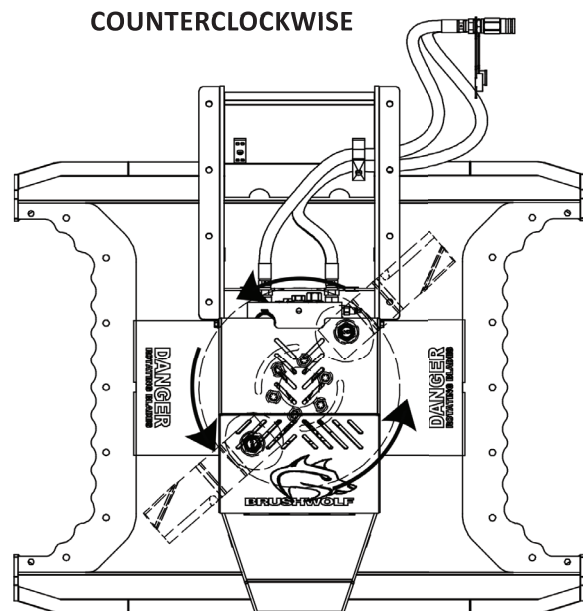
- 2) Slowly apply hydraulics to the brush cutter and increase the engine speed to high idle. Make sure the unit is operating smoothly before moving the excavator/backhoe forward.

- 3) Check for proper blade rotation. **Blades should spin COUNTERCLOCKWISE as viewed from above** (see Figure 3). If rotation is reversed (clockwise), either inverse the flow from your machine or switch the QD couplers on the hose ends.

When temperatures are below zero, allow additional time for hydraulic fluid to warm up.

- 4) **Maintain excavator/backhoe speed** appropriate for the volume of brush to prevent stalling.
- 5) Stay alert for drop-offs, rocks, holes, abandoned wells, and septic tanks. Do not operate or drive across a steep embankment as this may cause a rollover and possible injuries or death.
- 6) To **cut large diameter brush and trees**, move forward slowly to make the cut.

FIGURE 3: BLADE ROTATION



► WHEN DONE CUTTING

When done, lower lift arms, make sure the cutter is placed flat on the ground, throttle down on the excavator/backhoe, and shut off the hydraulic flow to the brush cutter. Stop the engine and engage the parking brake before leaving the cab.

DISCONNECTING HOSES:

To disconnect hoses, use proper hand protection as the couplers may be hot. Always replace caps on hoses once removed to prevent contamination.

MAINTENANCE

BRUSH WOLF BRUSH CUTTERS ARE BUILT TO STRICT STANDARDS AND WILL DELIVER YEARS OF DEPENDABLE SERVICE WHEN YOU FOLLOW THESE MAINTENANCE GUIDELINES...

► MAINTENANCE SCHEDULE

See pages 9-10 for details.

ITEM	BEFORE EACH USE	DAILY OR EVERY 8 HOURS	AS NEEDED
Blades	Inspect		
Bearing Housing Lubricant	Check Oil		
Blade Bolt/Nuts		Torque to 775 ft-lbs	
Bearing Housing Nuts		Torque to 85 ft-lbs	
Blade Carrier Mounting Bolts		Torque to 420 ft-lbs	
Hydraulic Motor Mount Bolts		Torque to 75 ft-lbs	
Block Bolts		Torque to 100 ft-lbs	
Hoses & Hose Safety Shield	Inspect		
Brush Cutter			Clean

CAUTION: Perform maintenance on a level surface with the unit firmly on the ground and blocked. Shut down the excavator/backhoe and remove hydraulic hoses from the power source.

DO NOT loan your brush cutter to another excavator/backhoe owner. The potential exists for hydraulic contamination and could shorten the life of your excavator/backhoe or the hydraulic motor on your brush cutter. Contamination of the hydraulic motor voids the warranty.

► BEFORE EVERY OPERATION

❑ INSPECT BLADES

Inspect blades before each use to ensure they are sharp, tightened correctly, and intact. Look for damage, dullness, and cracks. Blades should rotate freely and be clear of obstructions. Replace the entire set of blades if damaged.

CAUTION: Always replace the entire set of blades. Never weld or straighten damaged blades, as loss of blade integrity may result.

❑ INSPECT THE DRIVE COMPONENTS

Inspect before each use and remove foreign material.

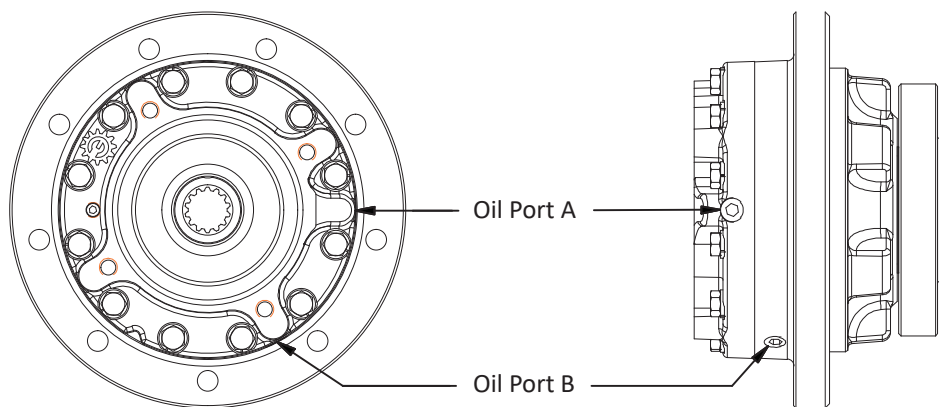
❑ CHECK THE BEARING HOUSING FOR PROPER LUBRICANT

To check the lubricant level, remove the pipe plug from the side of the bearing housing. See Figure 4 for oil level and quantity. If low, add 80W90 gear lube.

❑ CHECK HYDRAULIC HOSES AND HOSE SAFETY SHIELD

Check for wear, damage, or leaks. Replace if damaged.

FIGURE 4: OIL PORT



Oil Capacities

Mounting Position	
Horizontal	16 oz / .47 L Fill to Oil Port A
Vertical Spindle Down	12 oz / .35 L Fill to Oil Port B

▶ BEFORE EVERY OPERATION

☐ CHECK NUTS & BOLTS

Every Brush Wolf brush cutter is tested at the factory and all nuts and bolts have been tightened to specifications. We recommend you check the nuts and bolts after the first 4 to 6 hours of operation; then daily or every eight (8) hours.

Tighten the nuts that secure the blades to the blade carrier every eight (8) hours. Torque the nuts to 775 ft-lbs with a 1-11/16" socket wrench. The nuts are located under the access plate on the top of the blade carrier (see Figure 5).

Also, tighten the nuts holding the blade carrier to the output shaft of the bearing housing, torque to 212 ft-lbs with a 15/16" socket wrench.

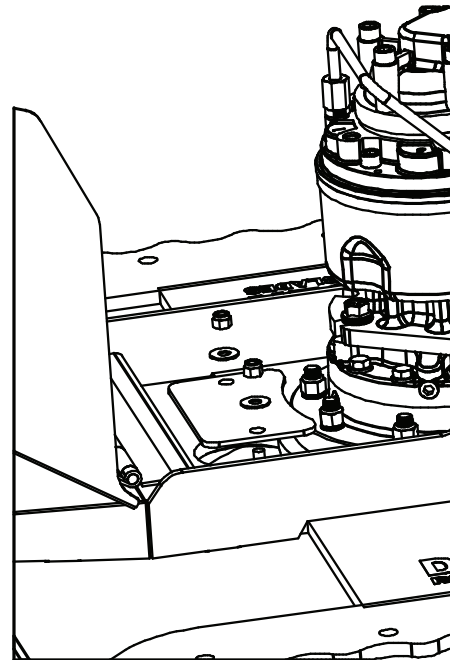
Tighten bearing housing mounting bolts daily or every eight (8) hours. Torque the bolts to 230 ft-lbs.

Tighten hydraulic motor mount bolts daily or every eight (8) hours. Torque the bolts to 75 ft-lbs.

▶ AS NEEDED

- ☐ **CLEAN THE BRUSH CUTTER** as needed and look for potential damage or obstruction that could result in poor performance.
- ☐ Make sure all **SAFETY DECALS** are visible.

FIGURE 5: ACCESS COVER



TROUBLESHOOTING

CONSULT YOUR DEALER OR CONTACT BRUSH WOLF FOR ANY QUESTIONS OR ADDITIONAL HELP.

ISSUE	POTENTIAL CAUSES
Loss of Power	<ul style="list-style-type: none">• Low hydraulic fluid level• Overheated hydraulic fluid*• Contaminated hydraulic fluid*• Low gearbox lubricant level
Excessive Unit Vibration	<ul style="list-style-type: none">• Dull, broken, or damaged blades• Blade carrier out of balance• Loose nuts and bolts• New blade or bolts matched with worn blade or bolts• Wire or rope wrapped around blades
Leaking Oil	<ul style="list-style-type: none">• Loose hydraulic connections• Ruptured hydraulic motor seals**• Loose or missing motor drain plug• Leaking from motor safety valve: check case drain line for proper connection. IF CASE PRESSURE IS IN EXCESS OF 300 PSI, ENSURE CASE DRAIN LINE IS INSTALLED AND PROPERLY CONNECTED.***• Leaking from bearing housing safety valve: blown motor seal

*May damage hydraulic motor and void warranty.

**The bearing housing is equipped with a 5 psi check valve on the fill plug to save the bearing housing seal should the motor seals become compromised. Some amount of oil seepage may be possible if cutter is run at extreme vertical angles. Excessive leakage from the check valve is indicative of a blown motor seal. Brush cutter should be shut down immediately to keep from compromising the bearing housing seal.

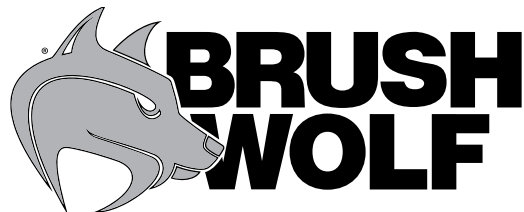
***An excavator with return pressure greater than 300 PSI requires a case drain. Please contact Brush Wolf at 218-692-1050 for case drain installation instructions.

HOW TO REPLACE BLADES

Perform replacement on a level surface with the brush cutter blocked off the ground. Shut off the hydraulic power supply and disconnect hydraulic couplers.

- 1) Take off the access cover (see Figure 5 on page 10) by removing the nuts and washers.
- 2) Through the exposed access hole, rotate the blade carrier to line up the nut of the blade for access.
- 3) Insert a 1-11/16" socket through the access hole and remove the nut and drop the bolts. **Caution:** once nuts are removed, blades will fall to the ground if not supported.
- 4) Clean new bolts, lock-nuts, and washer with cleaner/degreaser. Prior to assembly, ensure all hardware is dry and free of any contaminants including the carrier assembly.
- 5) Use Primer Loctite on the bolts and nuts according to the directions on the label. Apply Loctite #243 to the first 10 bolt threads to ensure coverage.
- 6) Assemble the new blade, the bolt, and the nut to the carrier. The blade carrier cuts in one direction, counterclockwise.
- 7) Torque the blade bolts to 775 ft-lbs. using a 1-11/16" socket.
- 8) Confirm the blade carrier rotates freely and is clear of any obstructions.
- 9) Reinstall the access cover plate.

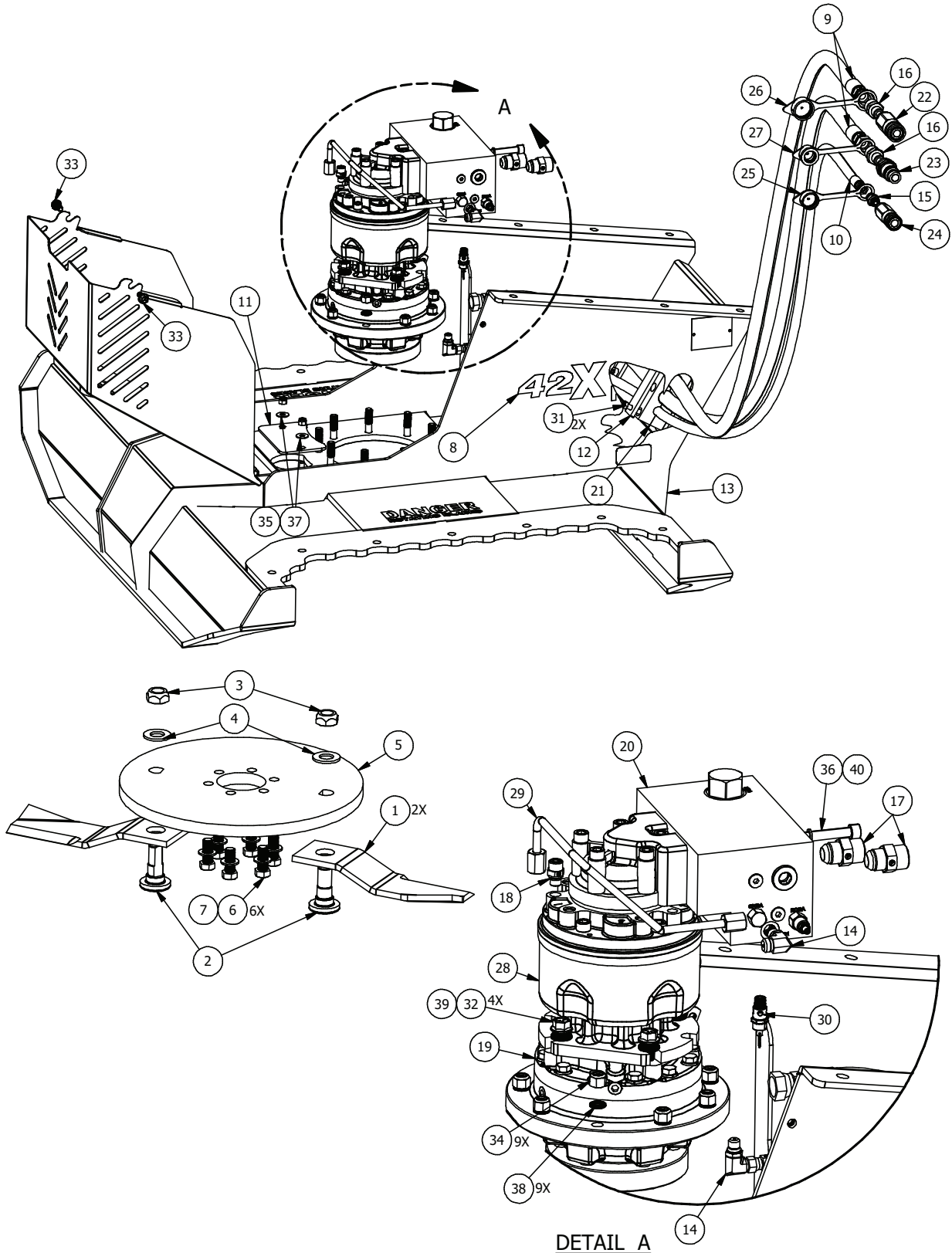
PARTS SECTION



**ONLY USE GENUINE OEM PARTS
ORDER PARTS DIRECTLY
FROM BRUSH WOLF
BY CALLING 218-692-1050**

PARTS: 42X HD | 42X XP

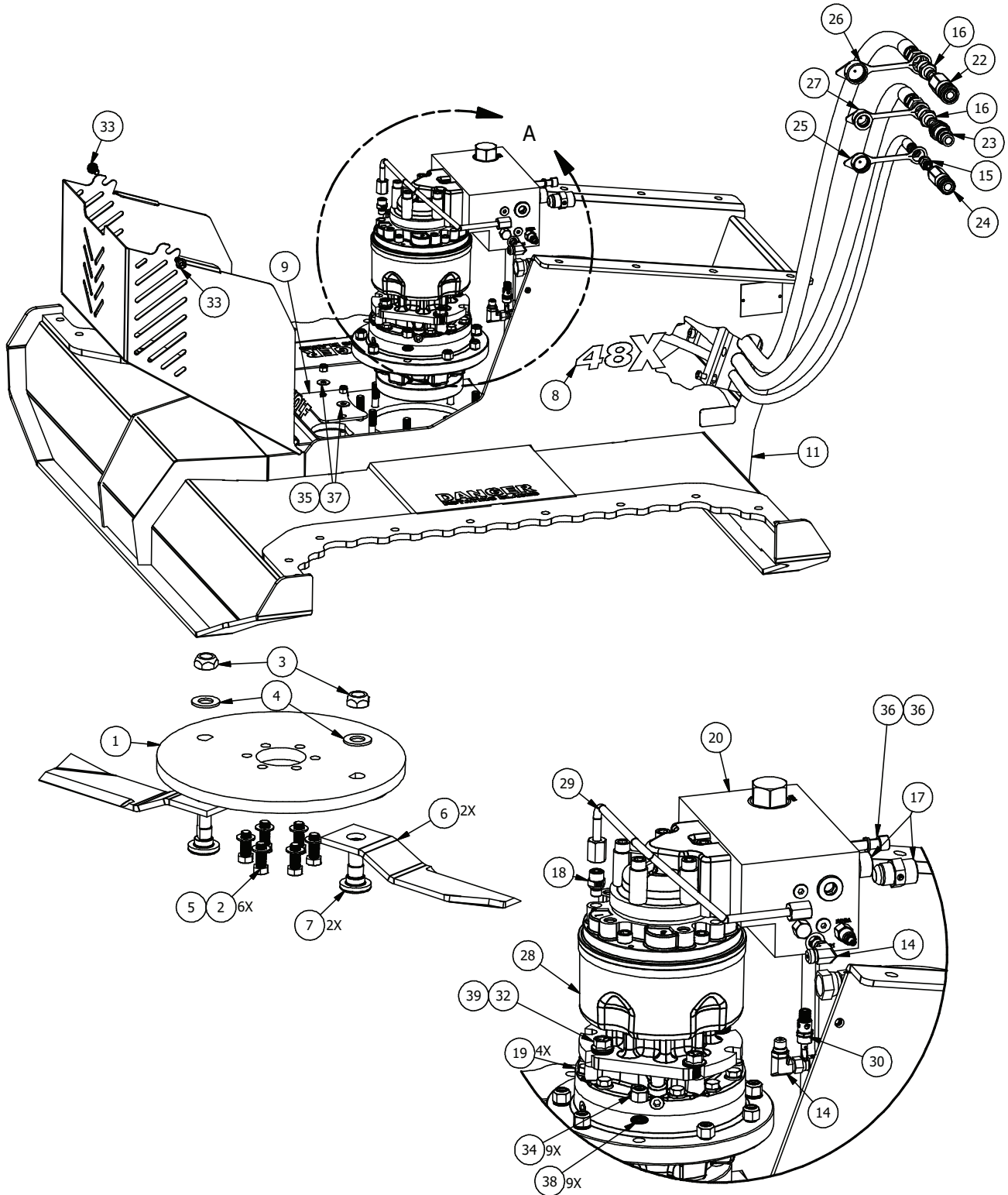
ONLY USE GENUINE OEM PARTS. ORDER PARTS FROM BRUSH WOLF AT 218-692-1050



ITEM	ITEM QTY	PART NUMBER	DESCRIPTION
1	2	15265	BLADES, 14.750 X 4.000 X .500
2	2	15066	BOLT, D-BOLT, 1 1/8-12, BW
3	2	15148	NUT, TOP LOCK, 1 1/8-12, GRADE C, PLAIN
4	2	30089	WASHER, FLAT, 1 1/8, F436, ZINC
5	1	16530	WELDMENT, BLADE CARRIER, 42X/48X, DIRECT DRIVE
6	6	30112	BOLT_HH_3_4-16X2 UNC_GRD8 YZ
7	6	30087	WASHER, FLAT, 3/4, F436, ZINC
8	1	16713	DECAL KIT, 42X HD
8	1	16714	DECAL KIT, 42X XP
9	2	15590	HOSE WHIP ASSEMBLY, -12 ORFS, FEMALE SWIVEL COUPLINGS, 0.750 X 90.000 HOSE
10	1	15591	HOSE WHIP ASSEMBLY, -6 ORS, FEMALE SWIVEL COUPLINGS, 0.375 X 96.000 HOSE
11	1	16518	PLATE, ACCESS, 2 HOLE, 4.000 x 6.238
12	1	15418	PLATE, STAUFF, 3 HOLE COVER, 1.25 X 5.875
13	1	16462	WELDMENT, FRAME, 42X DD
14	2	16171	ADAPTER, 90 DEG, #6 MORFS, #6 MORB
15	1	15408	ADAPTER, STRAIGHT, #6 MORFS, #8 MORB
16	2	15406	ADAPTER, STRAIGHT, #12 MORF, #10 MORB
17	2	15405	ADAPTER, STRAIGHT, #12 MORF, #12 MORB
18	1	16519	ADAPTER, STRAIGHT, 1/4MBSPP, #6 MOFS
19	1	16500	BEARING HOUSING, SAE "C" MOUNT, 2.25 SHAFT, 7.000 SPINDLE OUTPUT
20	1	16857	42X HD BRUSH CUTTER - BLOCK, CROSSOVER RELIEF FLOW CONTROL MANIFOLD, 20 GPM, 3500PSI RELIEF, STEEL
20	1	16858	42X XP BRUSH CUTTER - BLOCK, CROSSOVER RELIEF FLOW CONTROL MANIFOLD, 29 GPM, 3500PSI RELIEF, STEEL
21	1	15401	CLAMP, BODY, TWO PIECE, 30-30-18, THREE HOSE, BLACK
22	1	15078	COUPLER, FLAT FACED, 1/2 FEMALE, 7/8-14, O-RING BOSS
23	1	15079	COUPLER, FLAT FACED, 1/2 MALE, 7/8-14, O-RING BOSS
24	1	15414	COUPLER, FLAT FACED, 3/8 FEMALE, 3/4-16, O-RING BOSS
25	1	16562	DUST CAP, 0.375 COUPLER, FEMALE
26	1	16563	DUST CAP, 0.500 COUPLER, FEMALE
27	1	16564	DUST CAP, 0.500 COUPLER, MALE
28	1	16495*	42X HD BRUSH CUTTER - MOTOR, 3.4 CU IN, A3 SAE C MOUNT ,1 SAE FLANGE PORTS
28	1	16548*	42X XP BRUSH CUTTER - MOTOR, 4.71 CU IN, A3 SAE C MOUNT ,1 SAE FLANGE PORTS
29	1	16860	TUBE, CD, 42X/48X
30	1	16891	VALVE, SAFETY 3/8 NPT, 300 PSI
31	2	30044	BOLT, HH, 3/8-16 X 3, GRD 5, ZINC
32	4	30123	BOLT, HH, FLANGED, 1/2-13 X 1 1/2, GRD 5, ZINC
33	2	30058	BOLT, HH, FLANGED, SERRATED, 3/8-16 X 1, GRD 5, ZINC
34	9	30106	NUT, NYLOCK, 1/2-20, ZINC, GRD 5
35	2	30065	NUT, NYLOCK, 3/8-16, ZINC
36	8	30118	SCREW, SHCS, M12-1.75 X 160MM GR8
37	2	30083	WASHER, FLAT, 3/8, ZINC
38	9	16513	WASHER, NORD-LOCK, 0.500 X 0.770 OD, ZINC
39	4	15381	WASHER, NORD-LOCK, 0.500 X 1.000 OD, ZINC
40	8	30110	WASHER, SPRING LOCK, M12 X 18MM OD

PARTS: 48X HD | 48X XP

ONLY USE GENUINE OEM PARTS. ORDER PARTS FROM BRUSH WOLF AT 218-692-1050



DETAIL A
SCALE 1:6

ITEM	ITEM QTY	PART NUMBER	DESCRIPTION
1	1	16530	WELDMENT, BLADE CARRIER, 42X/48X, DIRECT DRIVE
2	6	30112	BOLT_HH_3_4-16X2 UNC_GRD8 YZ
3	2	15148	NUT, TOP LOCK, 1 1/8-12, GRADE C, PLAIN
4	2	30089	WASHER, FLAT, 1 1/8, F436, ZINC
5	6	30087	WASHER, FLAT, 3/4, F436, ZINC
6	2	16631	BLADES, 17.750 X 4.000 X .500
7	2	15066	BOLT, D-BOLT, 1 1/8-12, BW
8	1	16715	DECAL KIT, 48X HD
9	1	16518	PLATE, ACCESS, 2 HOLE, 4.000 x 6.238
10	1	15418	PLATE, STAUFF, 3 HOLE COVER, 1.25 X 5.875
11	1	16535	WELDMENT, FRAME, 48X DD
12	2	15590	HOSE WHIP ASSEMBLY, -12 ORFS, FEMALE SWIVEL COUPLINGS, 0.750 X 90.000 HOSE
13	1	15591	HOSE WHIP ASSEMBLY, -6 ORS, FEMALE SWIVEL COUPLINGS, 0.375 X 96.000 HOSE
14	2	16171	ADAPTER, 90 DEG, #6 MORFS, #6 MORB
15	1	15408	ADAPTER, STRAIGHT, #6 MORFS, #8 MORB
16	2	15406	ADAPTER, STRAIGHT, #12 MORF, #10 MORB
17	2	15405	ADAPTER, STRAIGHT, #12 MORF, #12 MORB
18	1	16519	ADAPTER, STRAIGHT, 1/4MBSPP, #6 MOFS
19	1	16500	BEARING HOUSING, SAE "C" MOUNT, 2.25 SHAFT, 7.000 SPINDLE OUTPUT
20	1	16858	48X HD BRUSH CUTTER - BLOCK, CROSSOVER RELIEF FLOW CONTROL MANIFOLD, 29GPM, 3500PSI RELIEF, STEEL
20	1	16859	48X XP BRUSH CUTTER - BLOCK, CROSSOVER RELIEF FLOW CONTROL MANIFOLD, 37GPM, 3500PSI RELIEF, STEEL
21	1	15401	CLAMP, BODY, TWO PIECE, 30-30-18, THREE HOSE, BLACK
22	1	15078	COUPLER, FLAT FACED, 1/2 FEMALE, 7/8-14, O-RING BOSS
23	1	15079	COUPLER, FLAT FACED, 1/2 MALE, 7/8-14, O-RING BOSS
24	1	15414	COUPLER, FLAT FACED, 3/8 FEMALE, 3/4-16, O-RING BOSS
25	1	16562	DUST CAP, 0.375 COUPLER, FEMALE
26	1	16563	DUST CAP, 0.500 COUPLER, FEMALE
27	1	16564	DUST CAP, 0.500 COUPLER, MALE
28	1	16858	48 HD BRUSH CUTTER - BLOCK, CROSSOVER RELIEF FLOW CONTROL MANIFOLD, 29GPM, 3500PSI RELIEF, STEEL
28	1	16859	48X XP BRUSH CUTTER - BLOCK, CROSSOVER RELIEF FLOW CONTROL MANIFOLD, 37GPM, 3500PSI RELIEF, STEEL
29	1	16860	TUBE, CD, 42X/48X
30	1	16891	VALVE, SAFETY 3/8 NPT, 300 PSI
31	2	30044	BOLT, HH, 3/8-16 X 3, GRD 5, ZINC
32	4	30123	BOLT, HH, FLANGED, 1/2-13 X 1 1/2, GRD 5, ZINC
33	2	30058	BOLT, HH, FLANGED, SERRATED, 3/8-16 X 1, GRD 5, ZINC
34	9	30106	NUT, NYLOCK, 1/2-20, ZINC, GRD 5
35	2	30065	NUT, NYLOCK, 3/8-16, ZINC
36	8	30118	SCREW, SHCS, M12-1.75 X 160MM GR8
37	2	30083	WASHER, FLAT, 3/8, ZINC
38	9	16513	WASHER, NORD-LOCK, 0.500 X 0.770 OD, ZINC
39	4	15381	WASHER, NORD-LOCK, 0.500 X 1.000 OD, ZINC
40	8	30110	WASHER, SPRING LOCK, M12 X 18MM OD

WARRANTY INFORMATION

PROTECT YOUR PURCHASE.

Warranties are valid from date of purchase with a warranty registration on file. Scan the QR code below or go to brushwolf.com/warranty to file a claim and view warranty details.



Structural Components • Materials • Weldment

1.5-YEAR LIMITED WARRANTY



Hydraulic Motor



Gearbox



Bearing Housing

